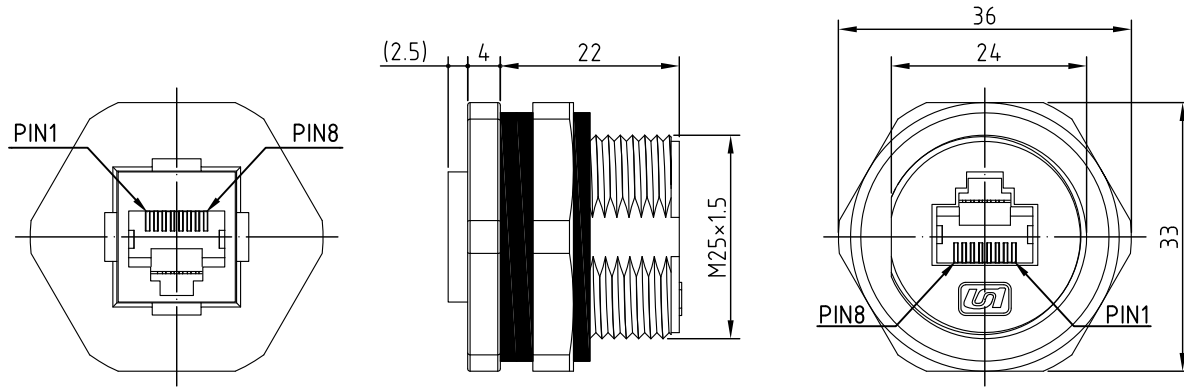


Recommended Panel cut-out

REV.	Description	Date
1	panel cut-out dimension revise	2020/9/16

Specification of connector

Locking system : screw M25×1.5
 Shell protection : IP68
 Rated voltage : 60V
 Rated current : 1.5A



RoHS
 TOLERANCE X±0.5 .X±0.3

4	RJ45 coupler jack	8P shielded
3	Nut	PA
2	Pad	Rubber
1	Body	PA
Item	Description	Material&Plating



Unicable Co., Ltd. 國陽電業有限公司

5F., No. 111-33, Sec. 4, San Ho Road., San Chung Dist., New Taipei City, Taiwan
<http://www.unicable.com.tw> Tel:+886-2-2286-2122 Fax:+886-2-2286-1010

DATE	2020/9/16	PART NO.	UT-5162
DWN	GINA	REV.	1
CHK			
UNIT	MM		

ITEM	Waterproof RJ45 jack
------	----------------------